

# **BALDOR® • RELIANCE**

## **Product Information Packet**

# **1453**

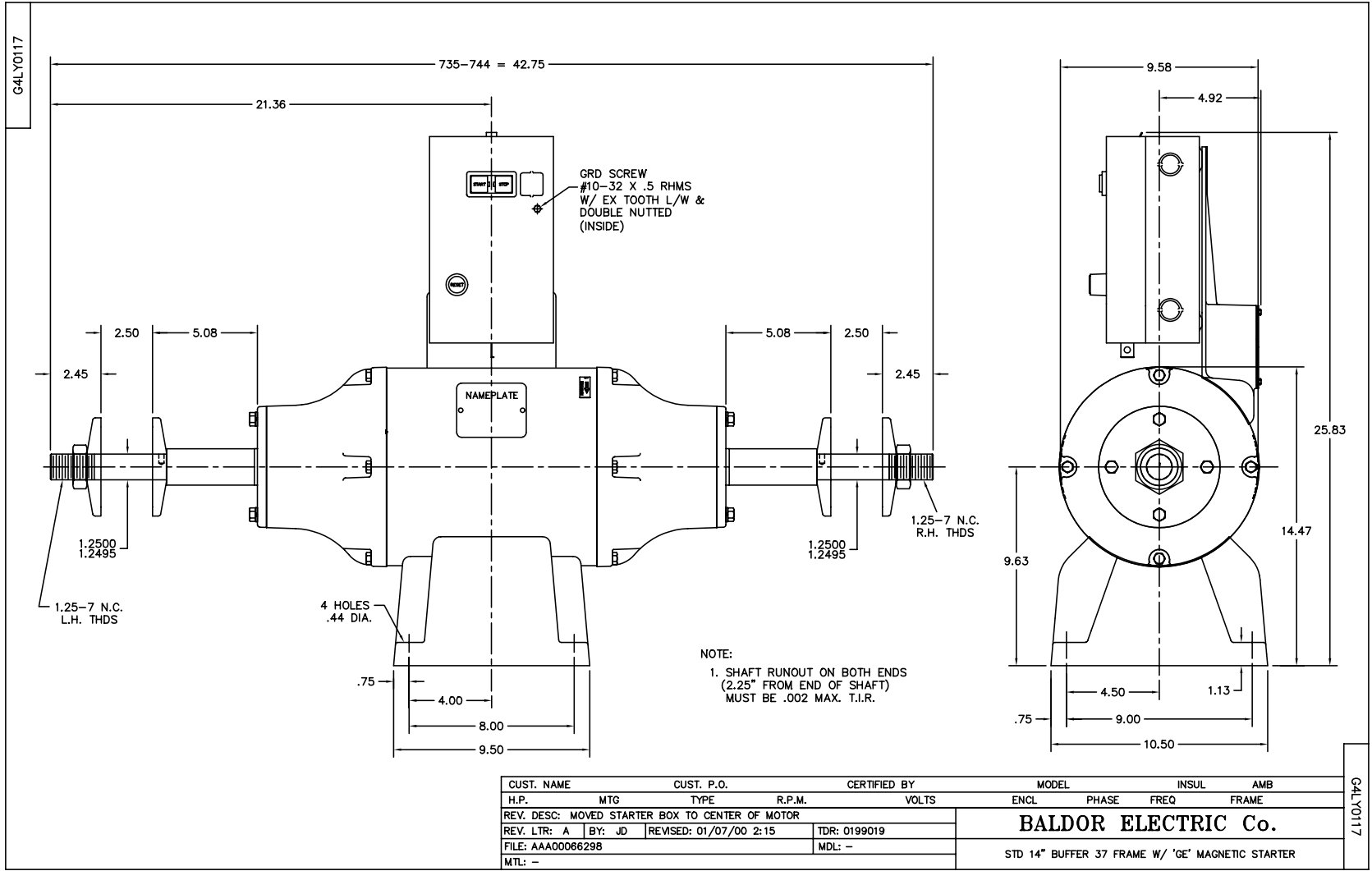
**7.5HP,3000/3600RPM,3PH,50/60HZ,3735M**

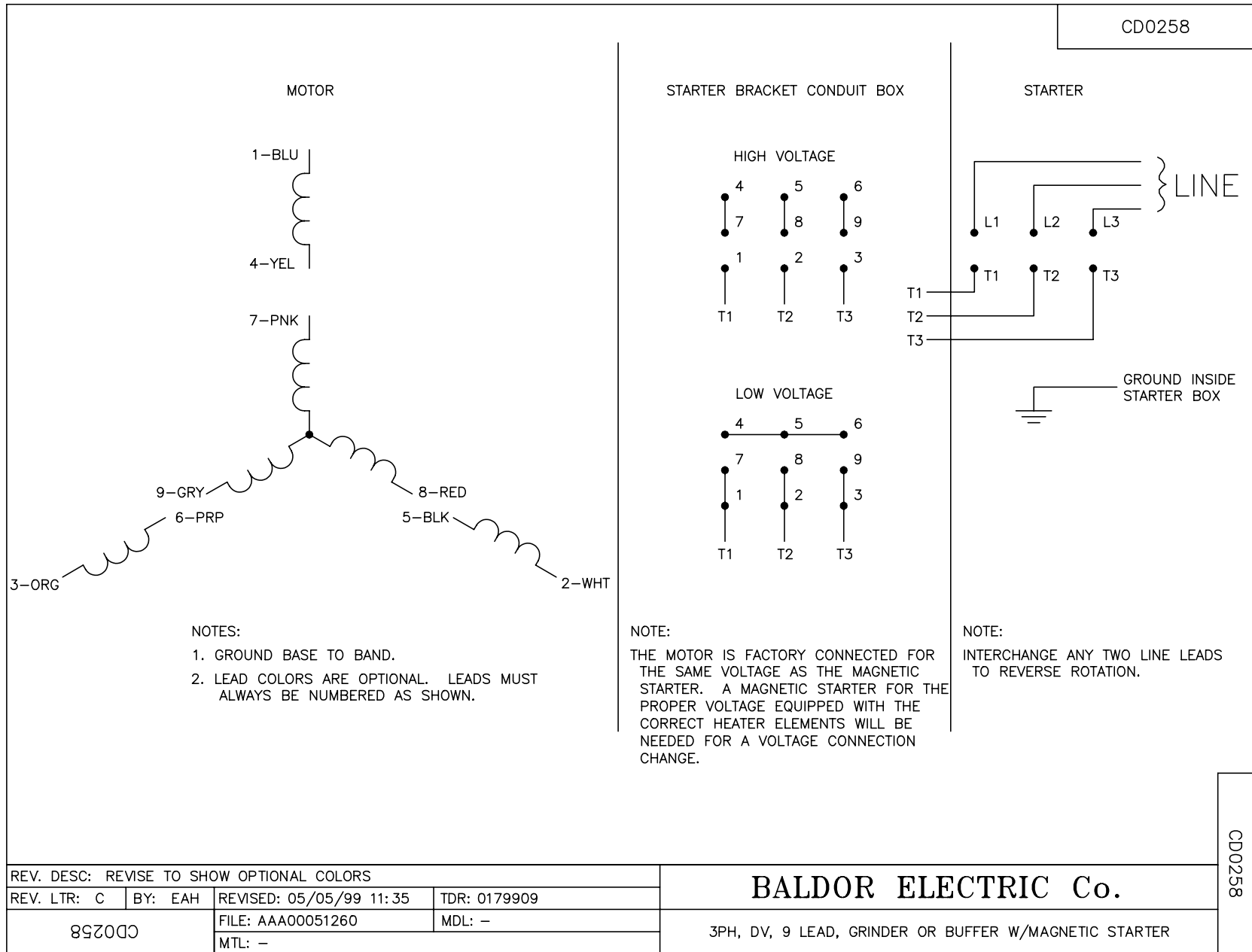
Part Detail							
Revision:	Y	Status:	PRD/A	Change #:		Proprietary:	No
Type:	AC	Elec. Spec:	G4WG0046	CD Diagram:	CD0258	Mfg Plant:	
Mech. Spec:	G14-117	Layout:	G4LY0117	Poles:	02	Created Date:	
Base:	RG	Eff. Date:	03-23-2017	Leads:	9#14 11"FROM ENDTURN		Y

Specs			
Nameplate Output:	7.5		
Product Style:	GRINDER		

Nameplate NP3411L	
CAT.NO.	1453
HP	7.5
PHASE	3
HZ	50//60
SER.NO	
SPEC.	G14-117A-0046G1
BLANK	
	VOLTS 230
	AMPS 20
	RPM 3000//3600

No performance data has been  
assigned to this product.





REV. DESC: REVISE TO SHOW OPTIONAL COLORS			
REV. LTR: C	BY: EAH	REVISED: 05/05/99 11:35	TDR: 0179909
8200		FILE: AAA00051260	MDL: -
CD0258		MTL: -	

BALDOR ELECTRIC Co.

3PH, DV, 9 LEAD, GRINDER OR BUFFER W/MAGNETIC STARTER

CD0258